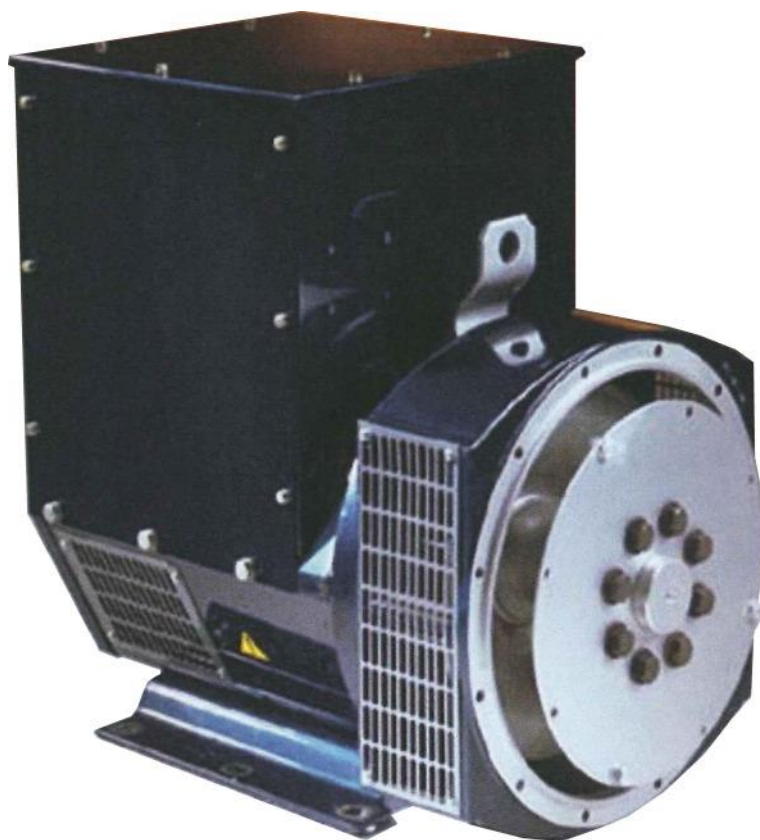




DG 274

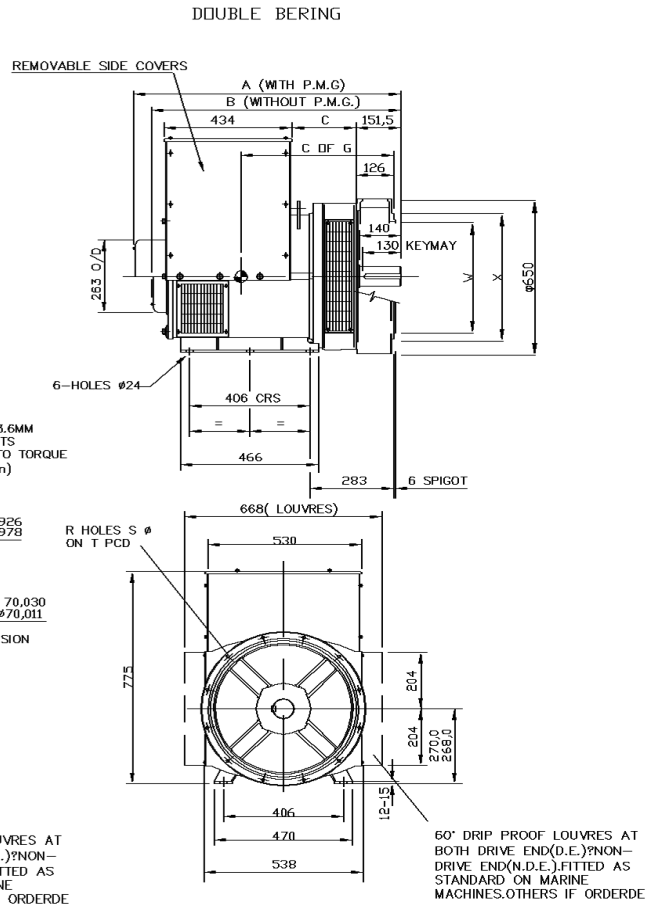
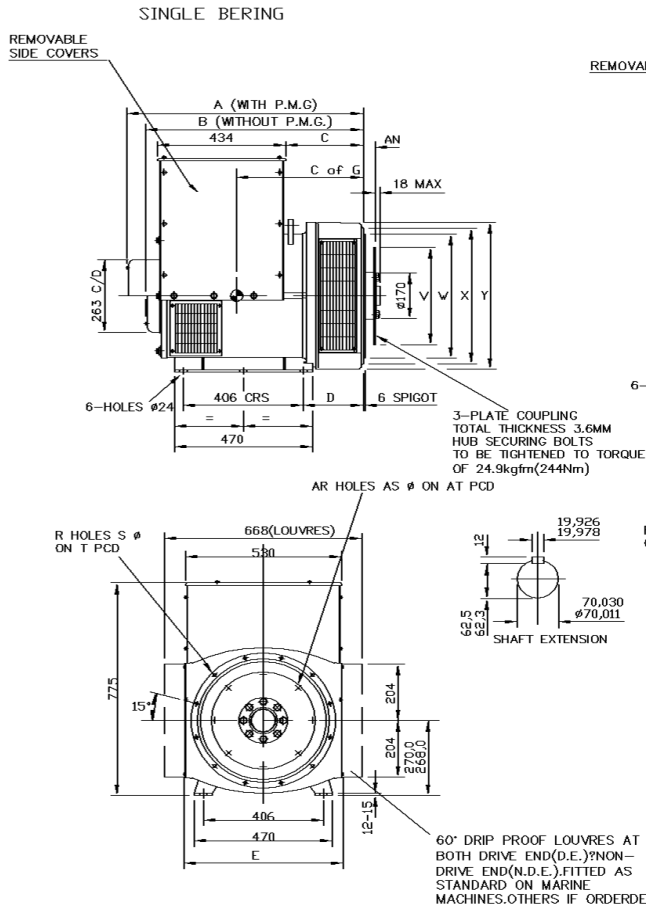


maximizing your energy

Try the best!

DG274		3 Phase H insulation Industrial						
Voltage		50 Hz 1500rpm			60 Hz 1800rpm			
Series Star		380	400	415	416	440	460	480
Parallel Star		190	200	208	208	220	230	240
Series Delta		220	230	240	240	254	266	277
DG274C	KVA	100	100	100	112.5	117.5	117.5	125
	KW	80	80	80	90	94	94	100
	Efficiency (%)	89.8	90.4	90.7	90	90.4	90.9	91
	Power input (KW)	89.1	88.5	88.2	100	104	103.4	109.9
DG274D	KVA	125	125	125	135	150	150	150
	KW	100	100	100	108	120	120	120
	Efficiency (%)	90.3	90.8	91	90.4	90.7	91.1	91.2
	Power input (KW)	110.7	110.1	109.9	119.5	132.3	131.7	131.6
DG274E	KVA	140	140	140	160	168	168	178
	KW	112	112	112	128	134	134	142.4
	Efficiency (%)	91.3	91.7	92	91.4	91.7	92	92.1
	Power input (KW)	122.7	122.1	121.7	140	146.1	145.7	154.6
DG274F	KVA	160	160	160	181	190	190	200
	KW	128	128	128	144.8	152	152	160
	Efficiency (%)	91.9	92.3	92.5	92	92.3	92.6	92.6
	Power input (KW)	139.3	138.7	138.4	157.4	164.7	164.1	172.8
DG274G	KVA	175	175	175	200	213	213	220
	KW	140	140	140	160	170.4	170.4	176
	Efficiency (%)	92.2	92.5	92.7	92.2	92.4	92.7	92.8
	Power input (KW)	151.8	151.4	151	173.5	184.4	183.8	189.7
DG274H	KVA	200	200	200	237	245	245	250
	KW	160	160	160	189.6	196	196	200
	Efficiency (%)	93	93.3	95.3	92.9	93.2	93.5	93.6
	Power input (KW)	172	171.5	167.9	204.1	210.3	209.6	213.7
DG274J	KVA	225	225	225	269	281	284	300
	KW	180	180	180	215	225	225	240
	Efficiency (%)	93.2	93.5	93.6	93.4	93.5	93.6	94.2
	Power input (KW)	193.1	192.5	192.3	230.2	240.6	240.4	254.8
DG274K	KVA	250	250	250	291	300	300	312.5
	KW	200	200	200	232.8	240	240	250
	Efficiency (%)	94.1	94.3	94.4	94.2	94.3	94.5	94.8
	Power input (KW)	212.5	212.1	211.9	247.1	254.5	254	263.7

DG274		3 Phase F insulation marine						
Voltage		50 Hz 1500rpm			60 Hz 1800rpm			
Series Star		380	400	415	416	440	460	480
Parallel Star		190	200	208	208	220	230	240
Series Delta		220	230	240	240	254	266	277
DG274C	KVA	81.3	81.3	81.3	93.8	106	106	113
	KW	65	65	65	75	85	85	90
	Efficiency (%)	90.8	91.1	91.3	90.8	89.9	89.9	91.3
	Power input (KW)	71.6	71.4	71.2	82.6	94.5	94.5	98.6
DG274D	KVA	111	111	111	133	133	133	133
	KW	89	89	89	106	106	106	106
	Efficiency (%)	91	91	91	92	92	92	92
	Power input (KW)	95	95	95	114	114	114	114
DG274E	KVA	125	125	125	138	138	144	144
	KW	110	100	100	110	110	115	115
	Efficiency (%)	91.7	92.1	92.3	91.9	92.2	92.6	92.7
	Power input (KW)	109	109	108	120	119	127	124
DG274F	KVA	144	144	144	163	163	169	169
	KW	115	115	115	130	130	135	135
	Efficiency (%)	92.2	92.6	92.8	92.2	92.7	92.9	93.1
	Power input (KW)	125	124	124	141	140	145	145
DG274G	KVA	156	156	156	188	188	188	200
	KW	125	125	125	150	150	150	160
	Efficiency (%)	92.5	92.8	93	92.3	92.7	93	93
	Power input (KW)	135	135	134	163	162	161	172
DG274H	KVA	175	175	175	219	225	225	231
	KW	140	140	140	175	180	180	185
	Efficiency (%)	93.3	92.8	93.7	93.1	93.2	93.5	93.6
	Power input (KW)	150	150	149	188	193	193	198
DG274J	KVA	210	210	210	250	264	275	275
	KW	168	168	168	200	211.2	220	220
	Efficiency (%)	92.8	92.8	92.9	93	93	93	93
	Power input (KW)	181	181	180.8	215.1	227.1	236.6	236.6
DG274K	KVA	229	229	229	267	275	286.5	288
	KW	183.2	193.2	193.2	213.6	220	229.2	230.4
	Efficiency (%)	92.8	93	93.1	92.9	93	93.1	93.2
	Power input (KW)	197.4	197	196.8	229.9	236.6	269.4	269.1



SINGLE BEARING DIMENSIONS							
Code	A	B	C	E	C of G		
36SSAE1	DG274C	813.3	750.3	274.3	554	365	
	DG274D	831.3	750.3	274.3	554	375	
	DG274E	928.3	865.3	389.3	554	390	
	DG274F	928.3	865.3	389.3	554	415	
	DG274G	978.3	915.3	439.3	554	435	
	DG274H	1018.3	955.3	479.3	554	455	
	DG274J	1063	1000	525	583	-	
	DG274K	1063	1000	525	583	-	
	SAE283&4	DG274C	799	736	260	554	398
		DG274D	799	736	260	554	422
DG274E		914	851	375	554	489	
DG274F		914	851	375	554	527	
DG274G		964	904	425	554	579	
DG274H		1004	914	426	554	625	
DG274J		1063	1000	525	583	-	
DG274K	1063	1000	525	583	-		
FLANGE ADAPTOR							
S.A.E.No.	D	R	S	T	W	X	Y
1	216,3	12	12,7	530,2	511,1	553	580
2	202	12	11	466,7	447,6	490	530
3	202	12	11	428,6	409,5	451	530

DISC COUPLING					
S.A.E.No.	AN	AR	AS	AT	V
10	59.98	8	10.3	295.3	314.2
11.5	39.68	8	10.3	333.3	352.3
14	25.40	8	13.5	438.2	466.6

SINGLE BEARING SHIPPING DETAILS			
Code	Net weight Kg	Gross weight Kg	Packing
DG274C	385	435	125X76X102
DG274D	420	460	125X76X102
DG274E	470	510	125X76X102
DG274F	510	550	125X76X102
DG274G	560	500	125X76X102
DG274H	610	650	125X76X102

DOUBLE BEARING DIMENSIONS				
Code	A	B	C	C of G
DG274C	905	842	215	420
DG274D	905	842	215	430
DG274E	1020	957	330	445
DG274F	1020	957	330	475
DG274G	1070	1007	380	490
DG274H	1110	1047	420	510

FLANGE ADAPTOR					
S.A.E.No.	R	S	T	W	X
1	12	12.7	530,2	511,1	553
2	12	12	466,7	447,6	490
3	12	12	428,6	409,5	451

DOUBLE BEARING SHIPPING DETAILS			
Code	Net weight Kg	Gross weight Kg	Packing
DG274C	395	435	125x76x102
DG274D	420	460	125x76x102
DG274E	470	510	125x76x102
DG274F	510	550	125x76x102
DG274G	560	500	125x76x102
DG274H	610	650	125x76x102

DESCRIPTION OF MAIN CHARACTERISTIC

GENERAL

Alternator full range covers ratings from 5kVA to 1386kVA, so meeting the most part of needs for industrial, marine, commercial, construction, mining and telecommunications, both for prime or standby power generation.

ALTERNATOR CONSTRUCTURE

Ac generators are self-excited, self-regulated, and supplied with regulator and inbuilt booster.

COMPLIANCE WITH STANDARDS

The generators are designed in compliance with IEC60034-1/60034-2, BS4990 & 5000, VDE0530, NEMA MG1-2006, CSA C/UL. Certificate ISO 2000, CE conform to the requirements of IEC60034, certificate no. No. 01157 by NQA Certification Co., Ltd.

MECHANICAL FEATURES

The generators are available in either single-bearing or double-bearing.

Single-bearing construction has international general SAE flange adaptors and SAE disc couplings. It ensures the alignment during the assembly operation of generator to the engine.

Double-bearing construction has IMB34 standard forms. It has all SAE adaptors for option. Special constructions on request. Double bearing alternators are balanced with 1/2 key.

All alternators can operate in both directions: clockwise and counterclockwise.

ELECTRICAL FEATURES

OVERLOADS & SHORT CIRCUIT CURRENT

Followings overloads are allowed:

10% for 1 hour

14% for 15 minutes

25% for 5 minutes

50% for 2 minutes

With the addition of an optional Permanent Magnet, alternators can sustain 300% short circuit current for 10 seconds.

UNBALANCED LOAD

The alternators permit an unbalanced load of 25% rated current. The deviation of line voltage is less than 5%.

INSULATION

The insulation system is class 'H'

Vacuum pressure Impregnation

Windings and Electrical Performance

Generator stator is wound to 2/3 pitch. This eliminates triplen (3rd, 9th, 15th...) harmonics on the voltage waveform and is found to be the optimum design for trouble-free supply of non-linear loads.

TELEPHONE INTERFERENCE

TIF (as defined by BS4999 Part 40) is better than 2%. TIF (as defined by ASAC50.12) is better than 50.

RADIO INTERFERENCE

The alternators are supplied with interference suppression grade N to VDE 0875.

DAMPER WINDING

This arrangement provides the alternator with excellent damping against torsional vibrations that occurs during changes in load and when running in parallel.

ACCESSORIES & OPTION

Drop kit for sharing of reactive current during parallel operation

- Remote voltage potentiometer
- PT100 thermal protection embedded in stator windings
- Anti condensation heaters
- IP23 protection
- Special treatment for damp-saline or corrosive environment
- Permanent Magnet
- Control panel with LCD digital meter

GENERAL NOTES

All ratings are base in 40C° ambient temperature at 1000m altitude.

Site altitude exceeds 1000m above the sea level, (ambient temperature 40C°)

1000 mt. A.s.l.= 100%; 1500 mt. A.s.l.= 97%; 2000 mt. A.s.l.= 94%; 2500 mt. A.s.l.= 91%;

3000 mt. A.s.l.= 87%; 3500 mt. A.s.l.= 82%

Power factor cos. Phi < 0.8

Cos. Phi 0.8~1= 100%; Cos. Phi 0.7= 96%; Cos. Phi 0.6= 92%; Cos. Phi 0.5= 91%; Cos. Phi 0.4= 90%

BELTRAME CSE S.R.L.

Via San Pio X, 104 / 35015 Galliera Veneta PD / T. +39.049.5965127

www.beltramecse.com